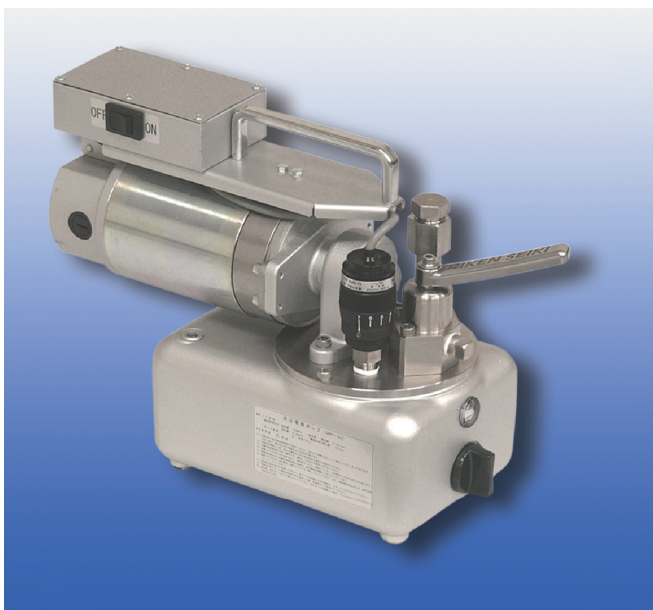


Water-pressured Electric Pump

WSMP-30 series



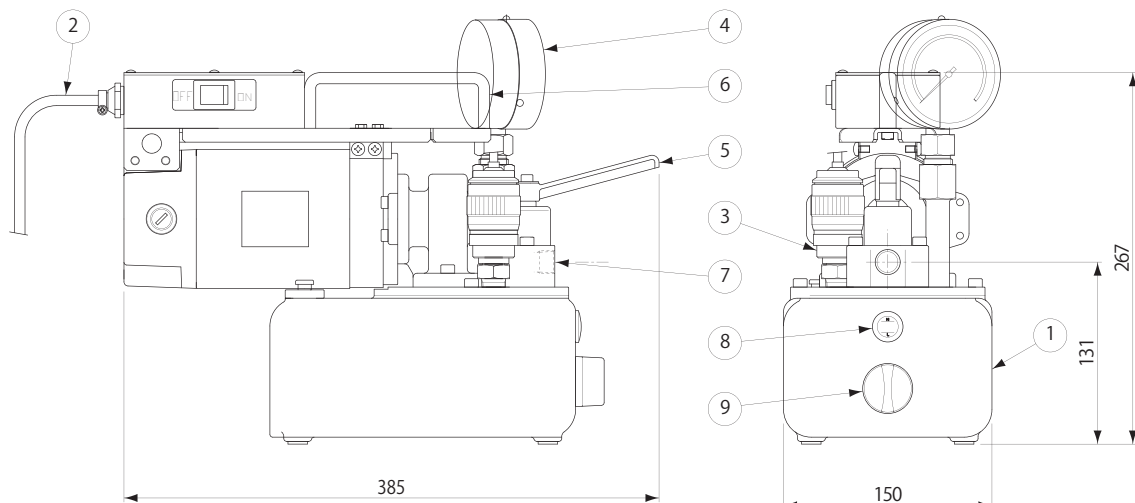
Features

- Hydraulic fluid is “water” and can increase the pressure up to 70MPa.
- Can be used safely in a place where usage of oil or chemicals are hesitated.
- Tap water available for fluid, inexpensive running cost.
- Automatic high-low pressure switching pump equipped for improved work efficiently.
- ECO model pump helps better circumstance.

Specification

Motor output	0.25kW	Tank volume	2.0L
Motor voltage	100V 8.0A	Effective oil volume	1.6L
	200V 4.0A	Approximate weight	16kg
	230V 3.5A		
Rated current	50/60Hz		
High pressure pump	Max. operating pressure	70 MPa	
	Discharge volume	0.15 L/min	
Low pressure pump	Max. operating pressure	2.5 MPa	
	Discharge volume	2.0 L/min(with No Load)	

9	Water drain port	G3/4
8	Level window	
7	Discharge outlet	Rc3/8
6	Grip	
5	Directional control valve	
4	Pressure gauge (Optional item)	WAS75-100M
3	Pressure switch	WSPS-7A
2	Ele. cord	3m
1	Water tank	
No.	Name	Note



※ Ele. plug... 100V : with plug
200V · 230V : with NO plug

※These specifications are subject to change without notice.

RIKEN KIKI CO.,LTD.

URL : <http://www.rikenkiki.co.jp>

E-mail : osd@rikenkiki.co.jp

Head Office: 4-24-50 Takanawa, Minato-ku, Tokyo 108-0074 JAPAN
TEL: +81-3-3447-1151 FAX: +81-3-5488-7022

Osaka Office: 10-21 Hiroshiba-cho, Suita City, Osaka 564-0052 JAPAN
TEL: +81-6-6384-2766 FAX: +81-6-6368-2333

Fukuoka Sales Office: Tamaishinwa Bldg., 3-12-3 Hakata-Ekimae, Hakata-ku, Fukuoka City 812-0011 JAPAN
TEL: +81-92-411-4440 FAX: +81-92-415-1011