

Water-pressured Manual Pump

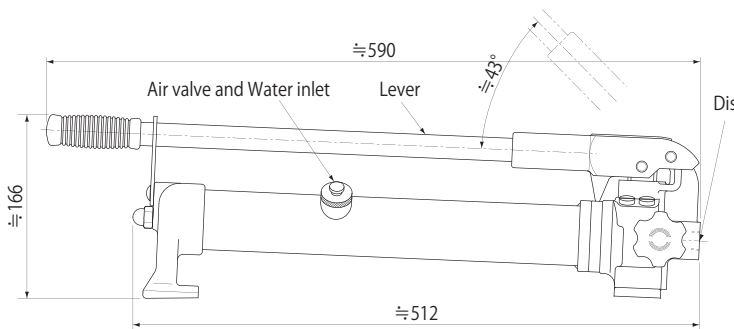
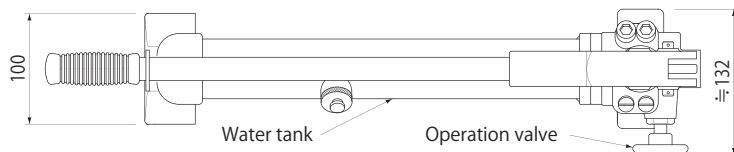
WP-1B series



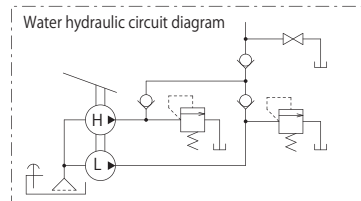
Features

- A manual pump whose hydraulic fluid is "water" and can increase the pressure up to 70MPa.
- Can be used safely in a place where usage of oil or chemicals are hesitated.
- Tap water available for fluid, inexpensive running cost.
- Automatic high-low pressure switching pump equipped for improved work efficiently.
- ECO model pump helps better circumstance.

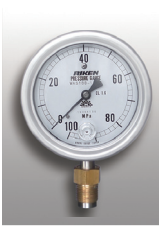
Specification



High pressure pump	
Max. operating pressure	70MPa
Discharge volume	2.3cm ³ /stroke
Low pressure pump	
Max. operating pressure	2MPa
Discharge volume	13.0cm ³ /stroke
Tank volume	700cm ³
Effective oil volume	600cm ³
Approximate weight	7kg



Optional Items



Water type Pressure Gauge WAS series

- Can be used as Water fluid pressure gauge.
- Equipped with a flexible screw, the direction of display surface can be set freely.
- ϕ 75 and ϕ 100 types are available.
- The gauge should be used with **less than 70% volume of the maximum scale.**

Type	Maximum scale MPa	Minimum scale MPa	Setscrew	Precision
WAS75-100M	100	2	G1/2	$\pm 1.6\%$ F. S.
WAS100-100M				



- Water type Pressure Gauge Mounting Accessory WT-5**
- The mounting accessory required to attach the pressure gauge on the discharge outlet of above pump.
 - The seal kit (packing set) included also.
 - The inclination of surface window which pressure gauge attached is 105° to outlet port of pump.
 - Pressure gauge WAS series suitable to use with.

※These specifications are subject to change without notice.

RIKEN KIKI CO., LTD.

URL : <http://www.rikenkiki.co.jp>

E-mail : osd@rikenkiki.co.jp

Head Office: 4-24-50 Takanawa, Minato-ku, Tokyo 108-0074 JAPAN
TEL: +81-3-3447-1151 FAX: +81-3-5488-7022

Osaka Office: 10-21 Hiroshiba-cho, Suita City, Osaka 564-0052 JAPAN
TEL: +81-6-6384-2766 FAX: +81-6-6368-2333

Fukuoka Sales Office: Tamaishinwa Bldg., 3-12-3 Hakata-Ekimae, Hakata-ku, Fukuoka City 812-0011 JAPAN
TEL: +81-92-411-4440 FAX: +81-92-415-1011