

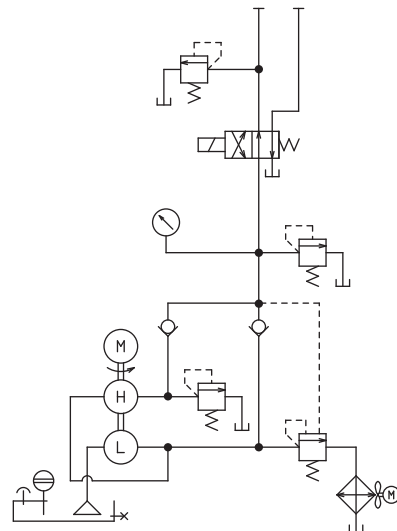
Electric Pump for Torque-wrench

TWP-5 series

Features

- Hydraulic pump for double-acting type torque-wrench use
- Two-stage discharge pump is equipped for highly effective work.
- Equipped the oil cooler standard.
- Equipped the hand control switch with 5m length cable
- Equipped the useful roll bar standard.

Hydraulic circuit designation



Specification

Commutator type motor

- Output : 0.84kW
- Voltage : AC200V
- Phase : Single phase
- Load current : 50/60Hz

Pressure gauge

φ 60 x 100MPa Glycerin contained

Pump

High pressure pump

- Max. operating pressure 70MPa
- Discharge volume 0.55L/min.

Low pressure pump

- Max. operating pressure 5MPa
- Discharge volume 5.5L/min.

Directional control valve

New solenoid valve ESL-4S-2

Oil tank

- Tank oil level 3.0L
- Hydraulic oil
- General hydraulic oil ISO VG32

Discharge port (Return)

Port size Rc3/8

Drain oil port

Port size Rc1/4

Discharge port (Close)

Port size Rc3/8

Oil cooler

Air-cooling type

Approx. Gross Weight : 33.5kg

※These specifications are subject to change without notice.

RIKEN KIKI CO., LTD. URL : <http://www.rikenkiki.co.jp> E-mail : osd@rikenkiki.co.jp

Head Office: 4-24-50 Takanawa, Minato-ku, Tokyo 108-0074 JAPAN
TEL: +81-3-3447-1151 FAX: +81-3-5488-7022

Osaka Office: 10-21 Hiroshiba-cho, Suita City, Osaka 564-0052 JAPAN
TEL: +81-6-6384-2766 FAX: +81-6-6368-2333

Fukuoka Sales Office: Tamaishinwa Bldg., 3-12-3 Hakata-Ekimae, Hakata-ku, Fukuoka City 812-0011 JAPAN
TEL: +81-92-411-4440 FAX: +81-92-415-1011